

Vedere izometrica ansamblu panou frontal

Vedere izometrica ansamblu capac spate

Vedere izometrica dezasamblat

Aparat invatare scris-citit
 Componente diferite: 13
 Total componente: 66
 Quantity

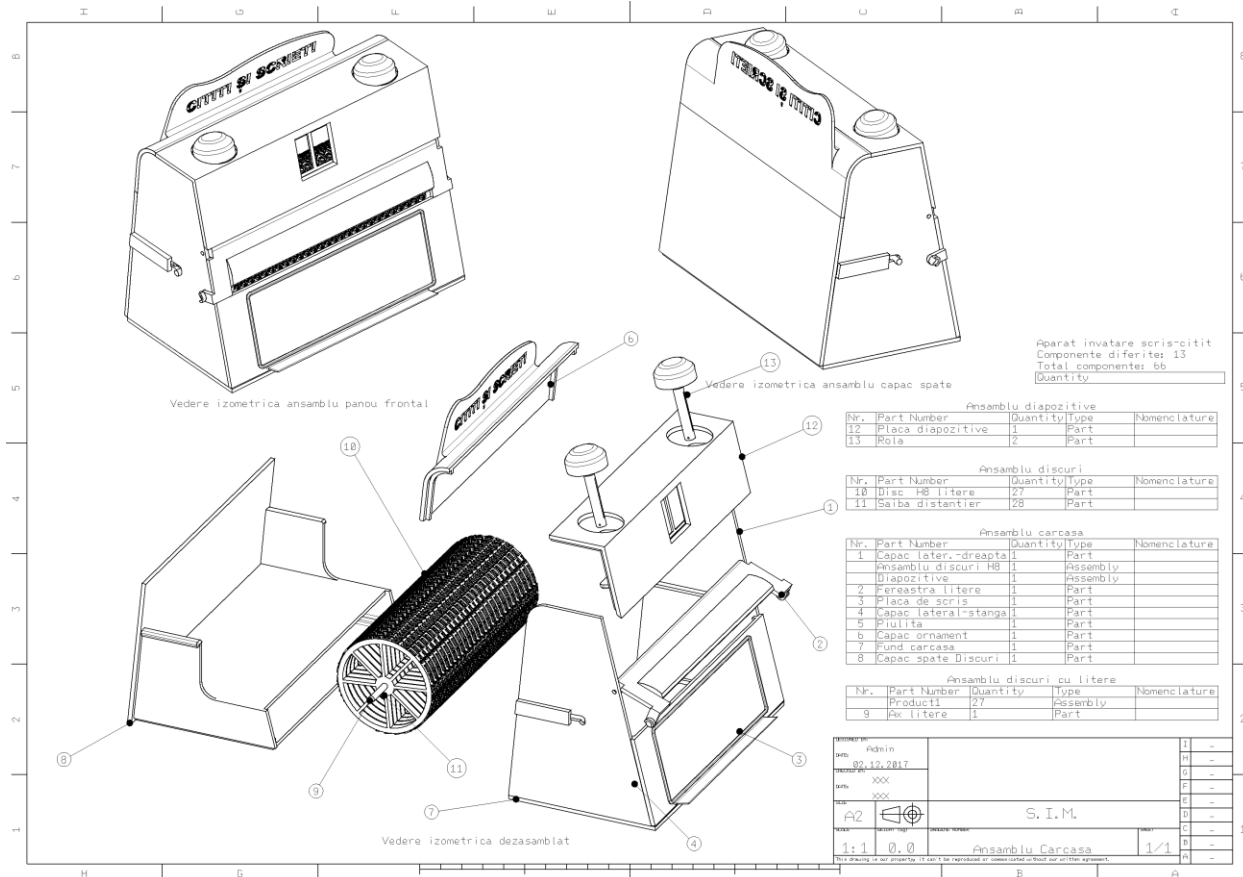
Ansamblu diapozitive			
Nr.	Part Number	Quantity	Type
12	Placa diapozitive	1	Part
13	Roia	2	Part

Ansamblu discuri			
Nr.	Part Number	Quantity	Type
10	Disc HB litere	27	Part
11	Saiba distantier	28	Part

Ansamblu carcasa			
Nr.	Part Number	Quantity	Type
1	Capac later.-dreapta	1	Part
	Ansamblu discuri HB	1	Assembly
2	Fereastra litere	1	Part
3	Placa de scris	1	Part
4	Capac lateral-stanga	1	Part
5	Piulițe	1	Part
6	Capac ornament	1	Part
7	Fund carcasa	1	Part
8	Capac spate Discuri	1	Part

Ansamblu discuri cu litere			
Nr.	Part Number	Quantity	Type
	Productii	27	Assembly
9	Rx litere	1	Part

Proiectat de:	Admin			
data:	02.12.2017			
desenat de:	xxx			
data:	xxx			
scara:	A2		S. I. M.	
scara:	1:1	0, 0	Ansamblu Carcasa	1/1



Aparat invatare scris-citit
 Componente diferite: 13
 Total componente: 66
 Quantity

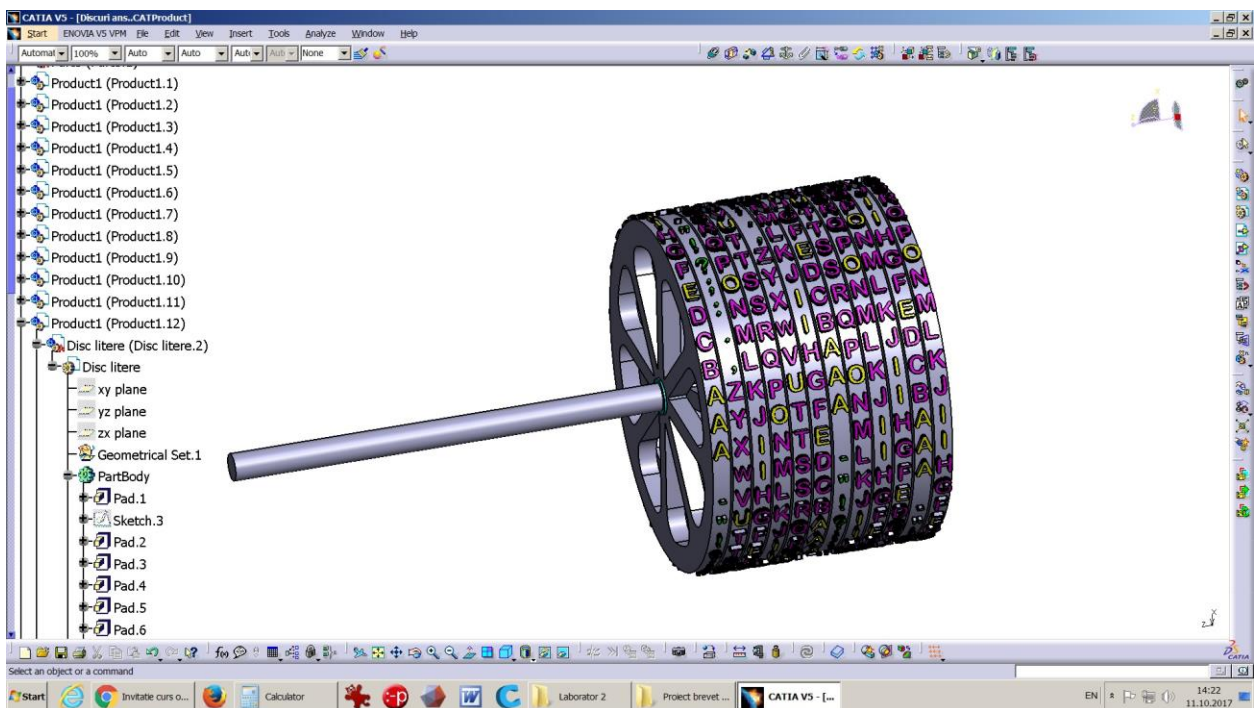
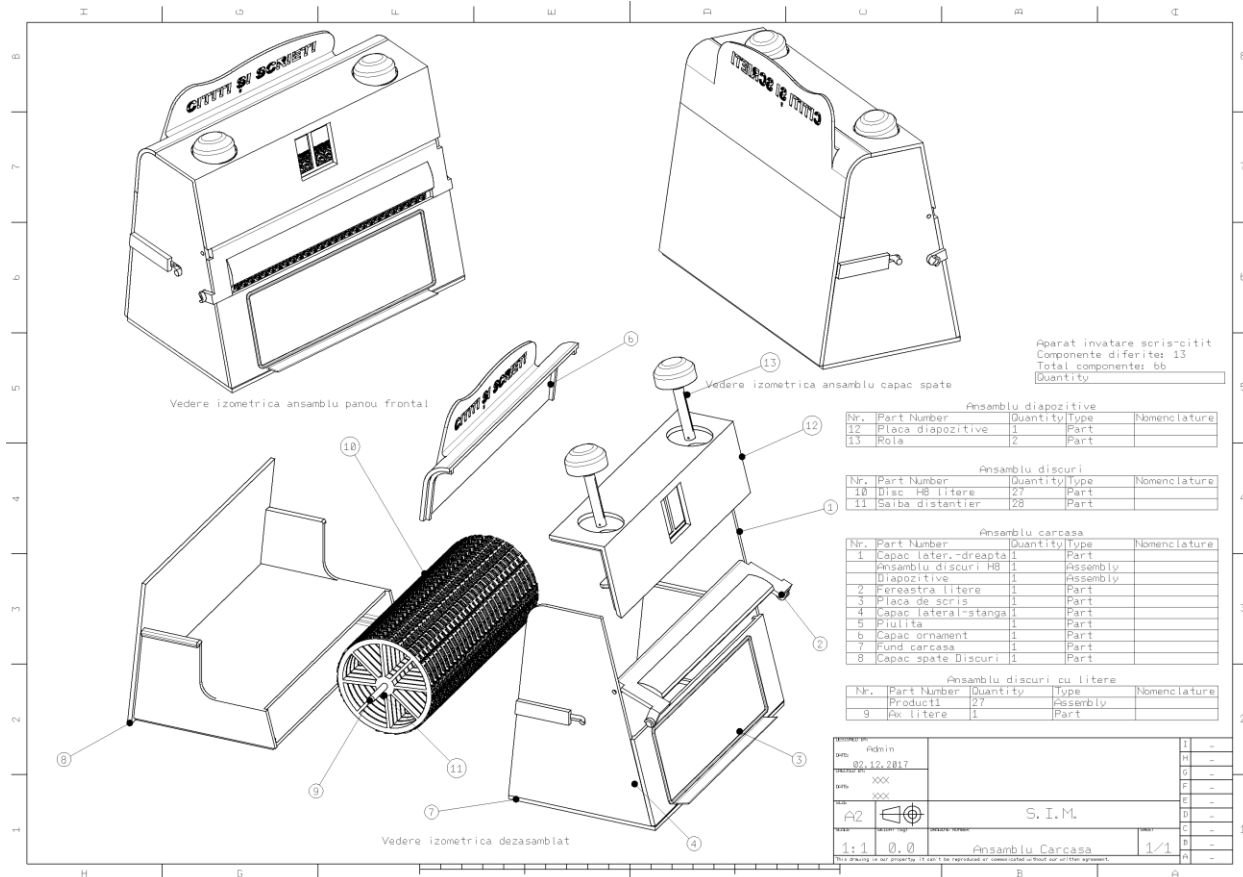
Ansamblu diapozitive			
Nr.	Part Number	Quantity	Type
12	Placa diapozitive	1	Part
13	Roia	2	Part

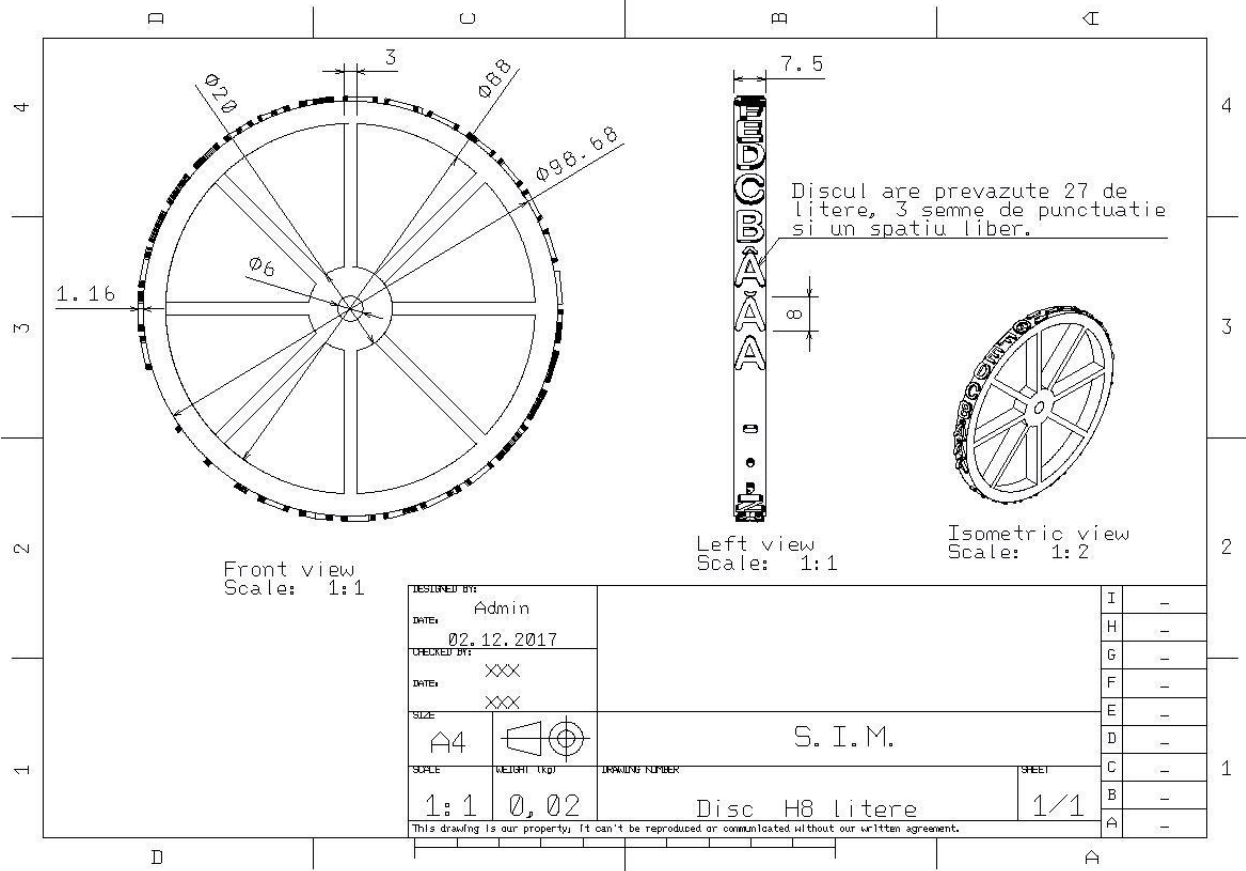
Ansamblu discuri			
Nr.	Part Number	Quantity	Type
10	Disc HB litere	27	Part
11	Saiba distantier	28	Part

Ansamblu carcasa			
Nr.	Part Number	Quantity	Type
1	Capac later.-dreapta	1	Part
	Ansamblu discuri HB	1	Assembly
2	Fereastra litere	1	Part
3	Placa de scris	1	Part
4	Capac lateral-stanga	1	Part
5	Piulițe	1	Part
6	Capac ornament	1	Part
7	Fund carcasa	1	Part
8	Capac spate Discuri	1	Part

Ansamblu discuri cu litere			
Nr.	Part Number	Quantity	Type
	Productii	27	Assembly
9	Rx litere	1	Part

Proiectat de:	Admin			
data:	02.12.2017			
desenat de:	xxx			
data:	xxx			
scara:	A2		S. I. M.	
scara:	1:1	0, 0	Ansamblu Carcasa	1/1





Front view
Scale: 1:1

Left view
Scale: 1:1

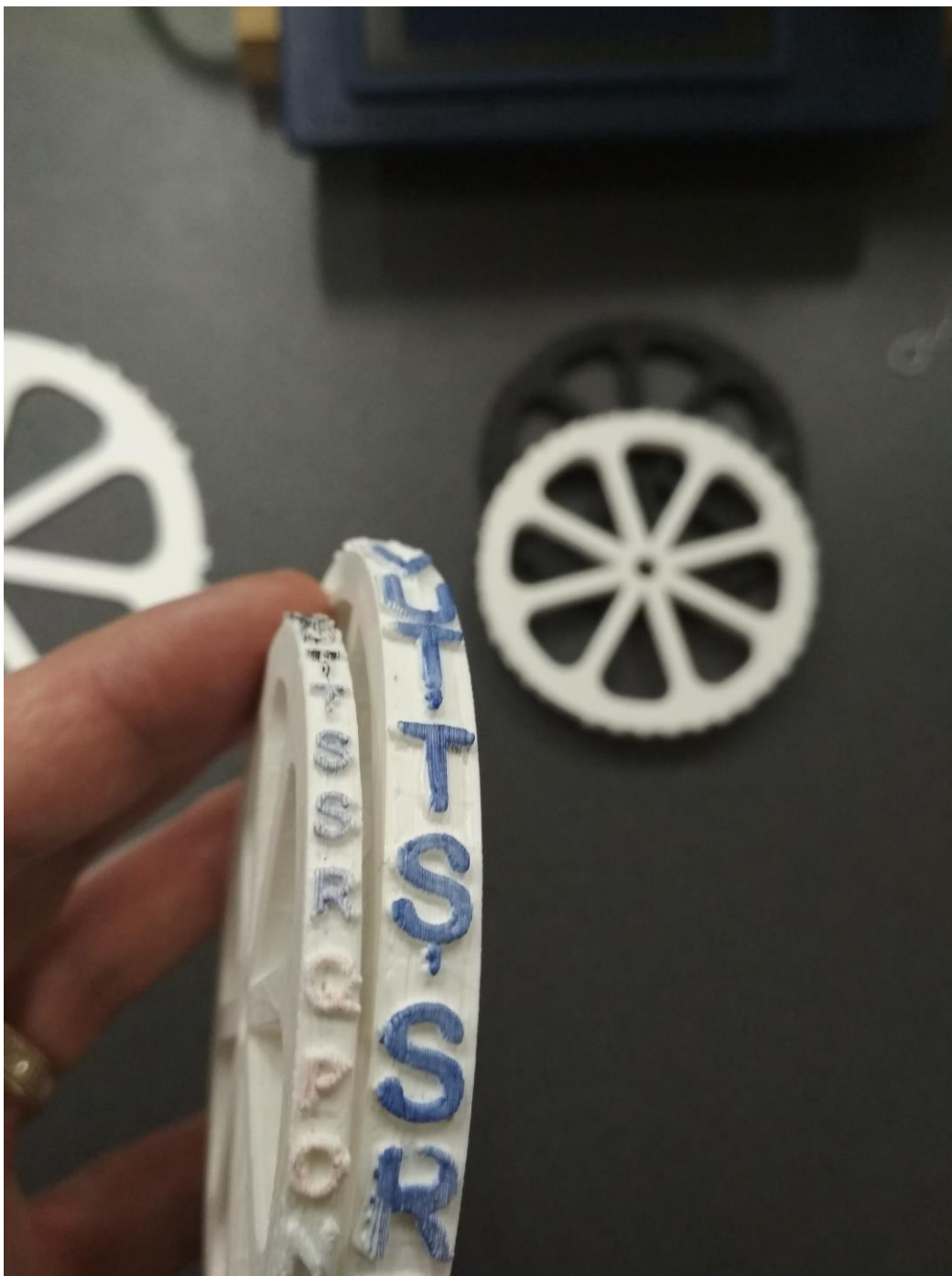
Isometric view
Scale: 1:2

DESIGNED BY: Admin				I	-
DATE: 02.12.2017				H	-
CHECKED BY: XXX				G	-
DATE: XXX				F	-
SIZE: A4				E	-
S. I. M.				D	-
SHEET NUMBER: 0, 02				C	-
Disc H8 litere				B	-
1:1		1/1		A	-

This drawing is our property; it can't be reproduced or communicated without our written agreement.

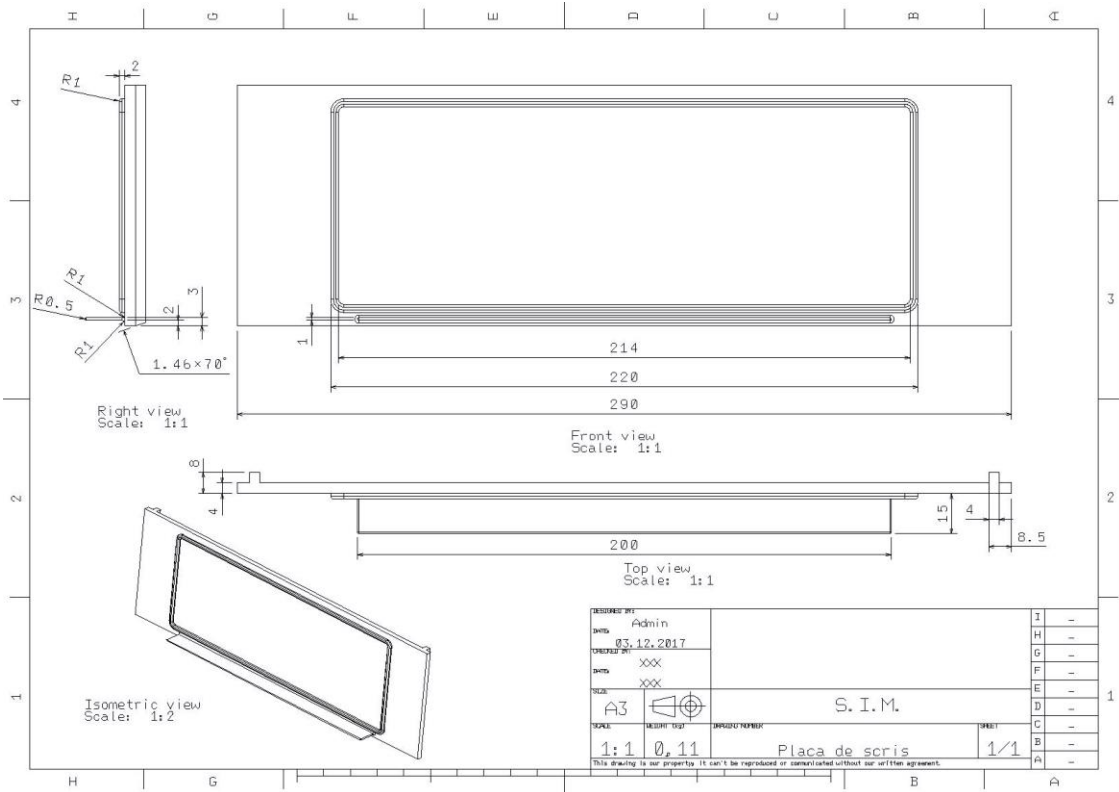
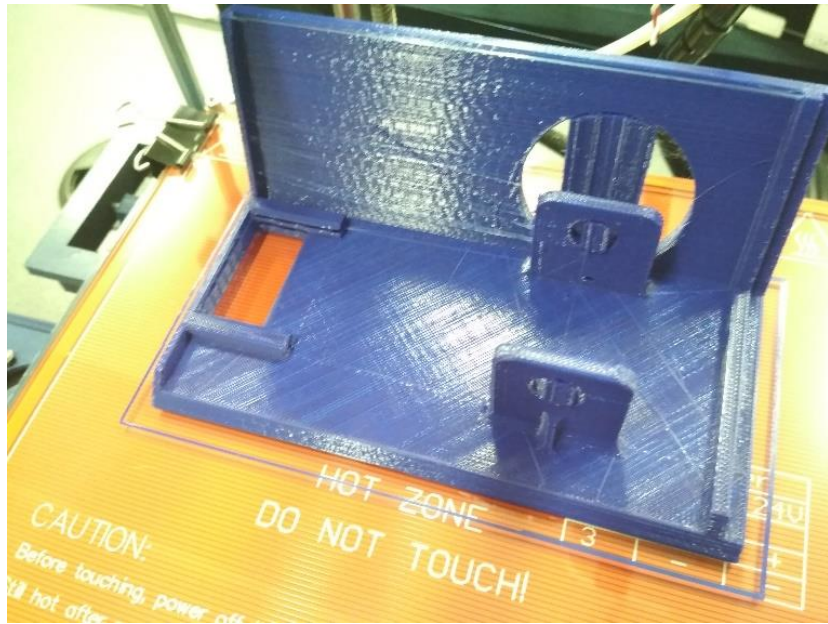


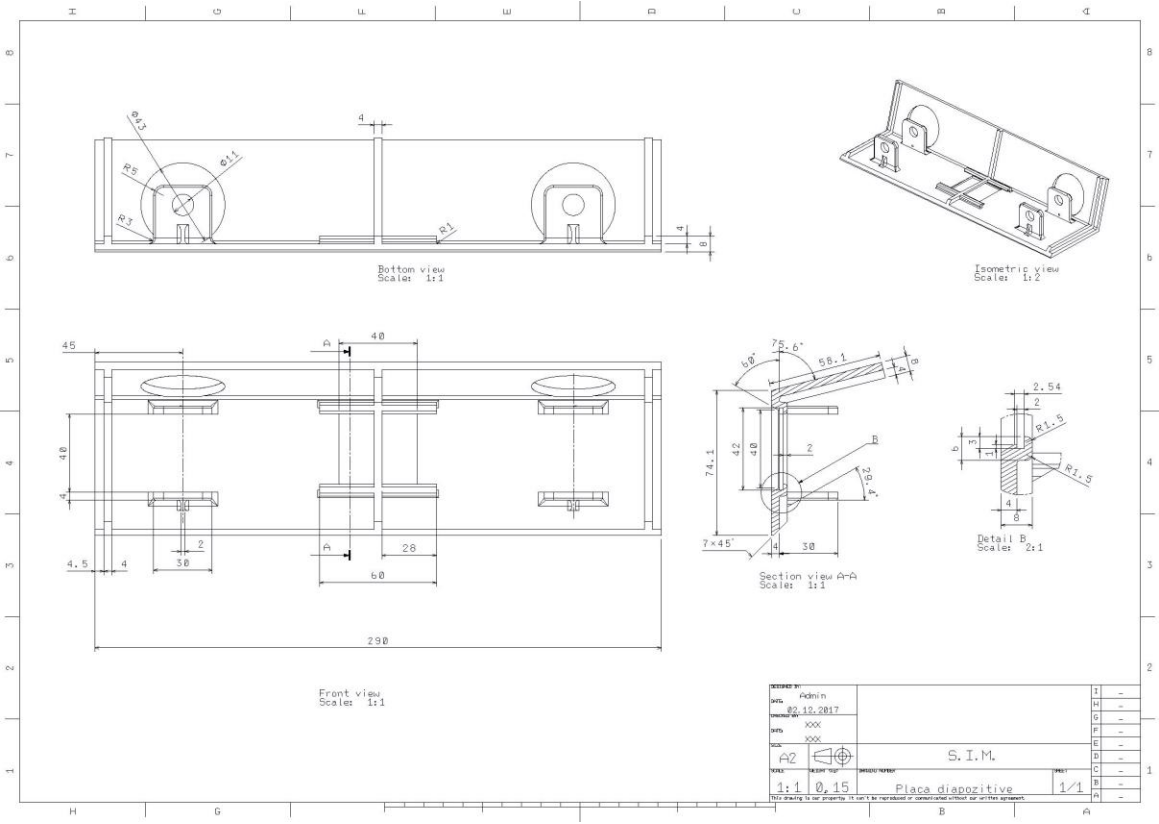


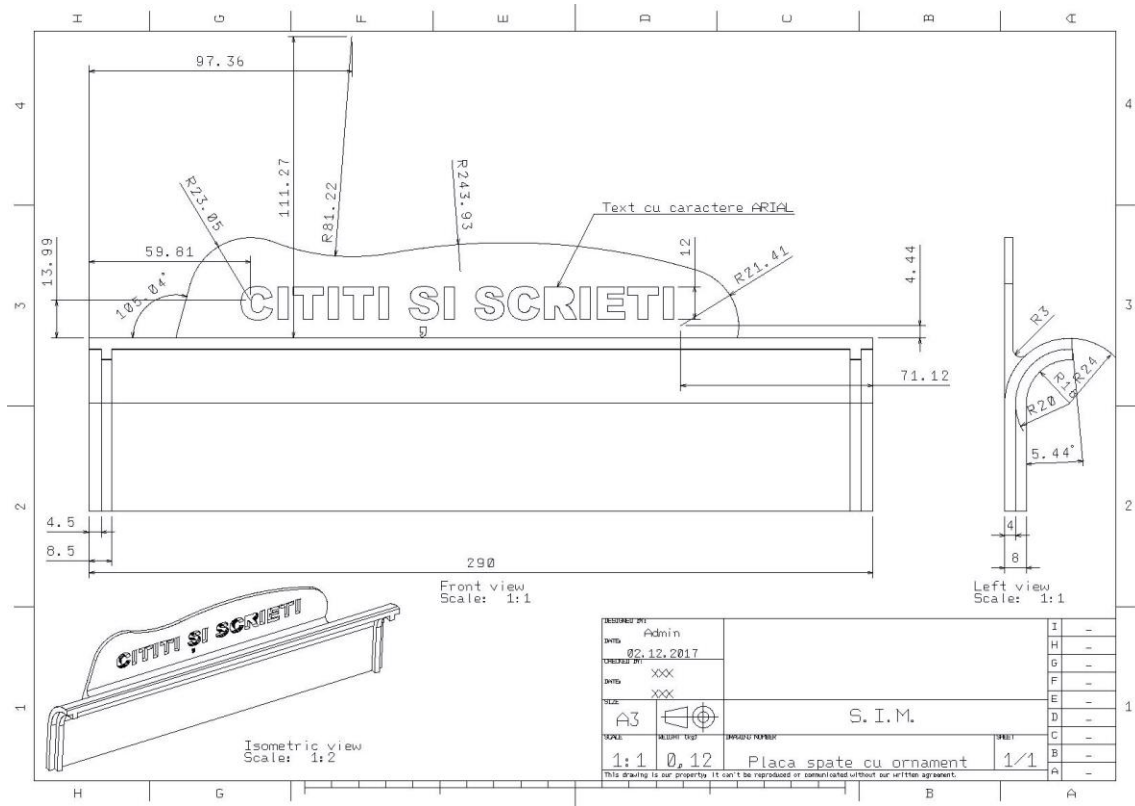


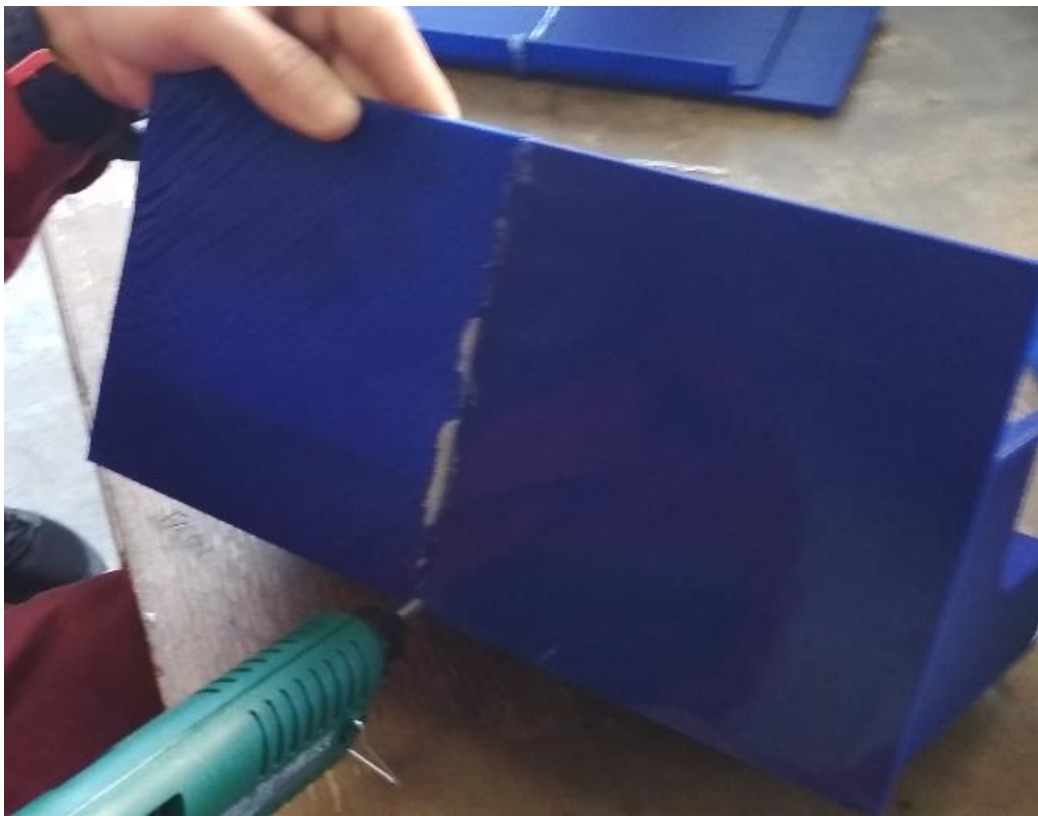


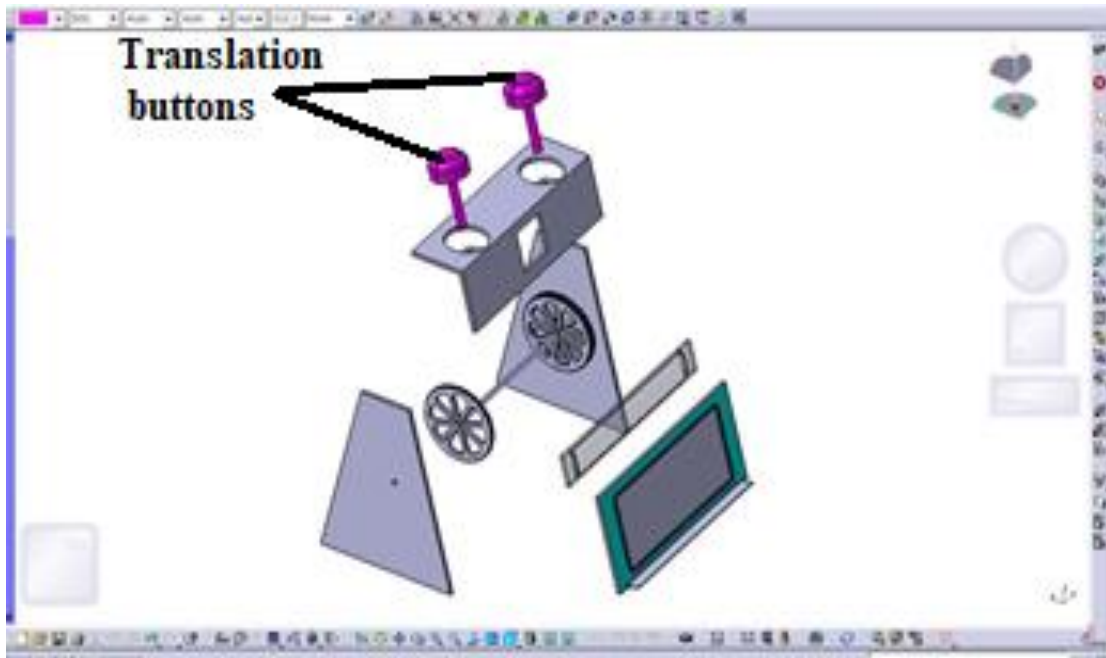


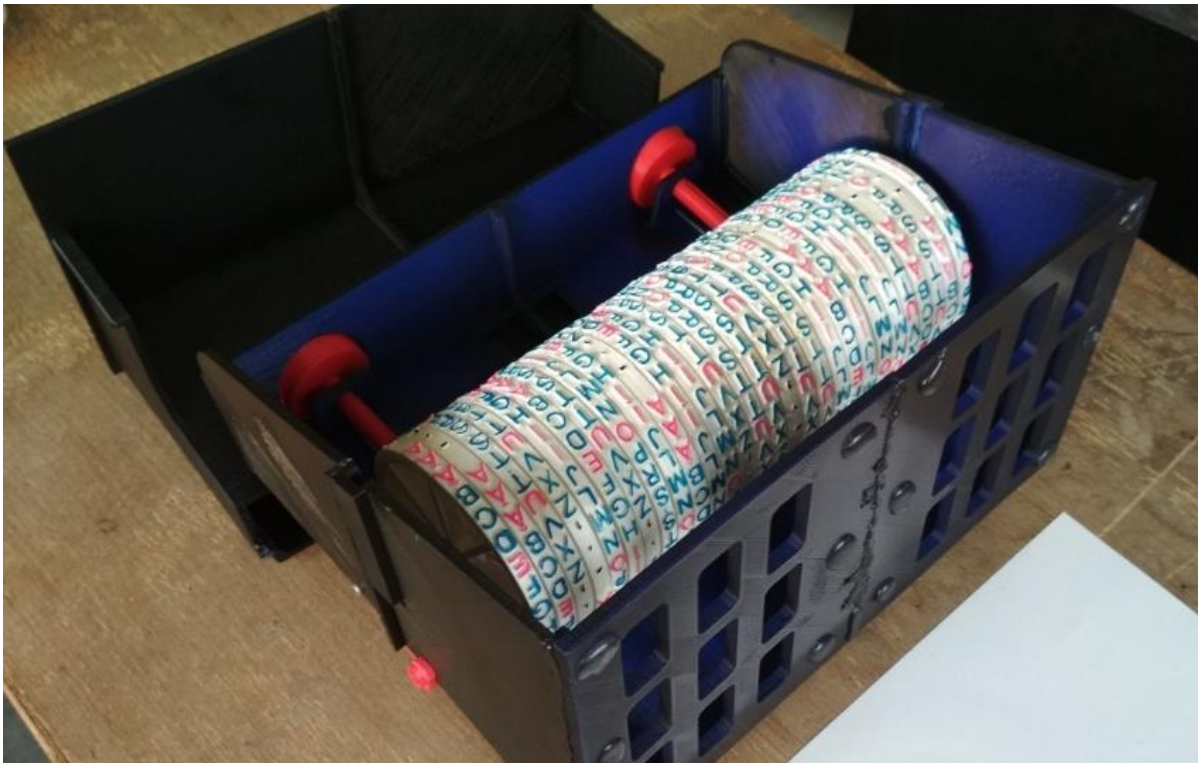














Acknowledgements

This work was supported by a grant of the Romanian National Authority for Scientific Research and Innovation, CNCS/CCCDI – UEFISCDI, project number 110CI/2017, with title: Equipment design for the development of writing and reading stage, within PNCDI III.